

## TPA / TPE - TORQUE WRENCH PUMPS - PREMIUM LINE



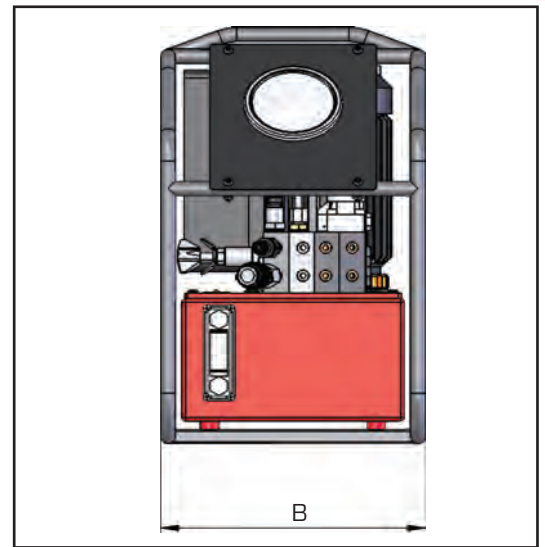
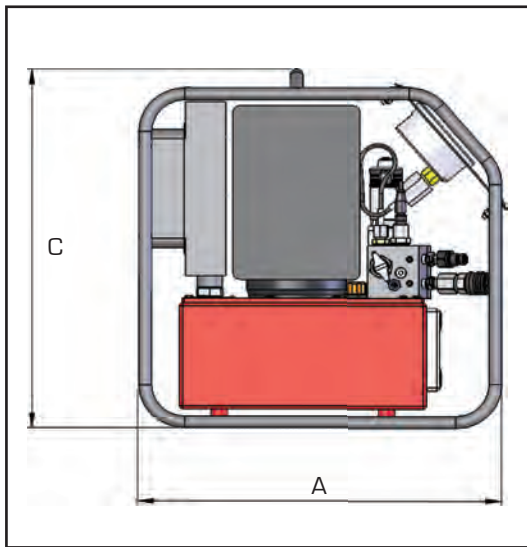
Maximum working pressure 10000 PSI

High speed, 3-stage pump

Multi-outlet block for operation of 4 wrenches

>> Optional extras include a full software controlled pump unit, enabling the user to select the hydraulic torque wrench in use via the digital display and have torque readings (in Nm or Lbf.ft) on the digital gauge. All Hi-Force TWS-N and TWH-N hydraulic torque wrenches are programmed and selectable as standard.

F



Pump Model	Oil capacity	Max. noise level	Max. oil temp	Weight incl. oil	Dimensions in inches		
					Length [A]	Width [B]	Height [C]
All <b>TPA</b> air driven models	1.85 gallons	90 db [A]	80 °C	66.1 lbs	17.97	11.27	18.75
All <b>TPE</b> electric driven models	1.85 gallons	88 db [A]	80 °C	86.0 lbs	17.97	11.27	18.75

Optional coupler sets for simultaneous operation of multiple torque wrenches (one set supplied fitted as standard):

Model number	Description
<b>TP-CS1</b>	Single set of male / female flatface couplers, for simultaneous operation of two hydraulic wrenches
<b>TP-CS2</b>	Double set of male / female flatface couplers, for simultaneous operation of three hydraulic wrenches
<b>TP-CS3</b>	Triple set of male / female flatface couplers, for simultaneous operation of four hydraulic wrenches